

Specification sheet LX 948

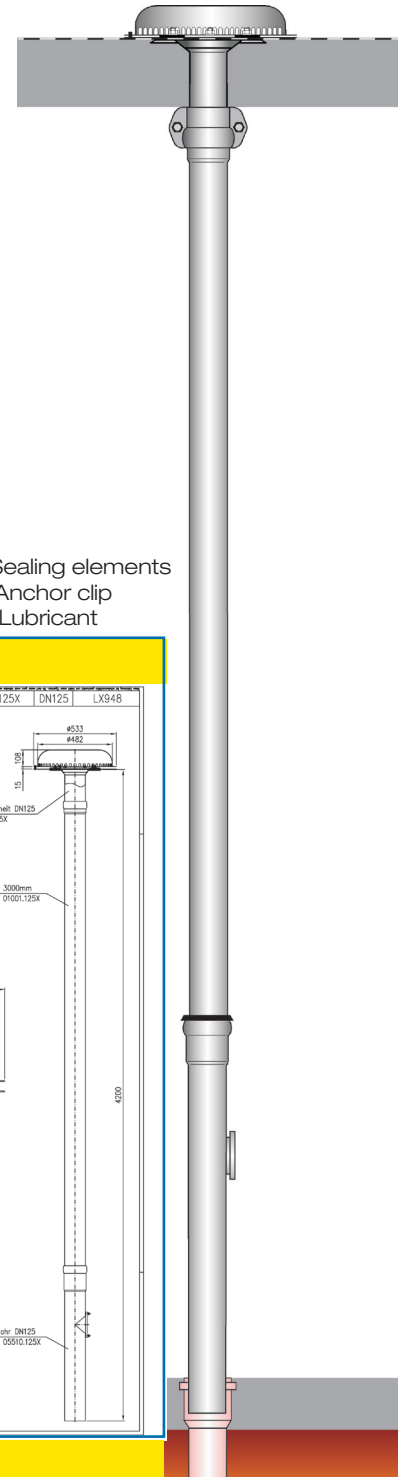
Roof drainage systems DRAINJET® Series 49 (DJ)

Main drainage

Siphonic flow

Silent Power

Discharge:	50 l/sec
Water height:	55 mm
Roof penetration:	-
Diameter:	DN 125
LX-Number:	LX 948
Weir height:	0 mm
Drain:	not ventilated
Downpipe:	not ventilated
Downpipe height:	min 4,2 m
Drainage:	in sewer



LX 948 Piece list

1 x Art.-No. choose drain on page two!

1 x Art.-No. 01001.125X, LORO-X Pipe with one socket

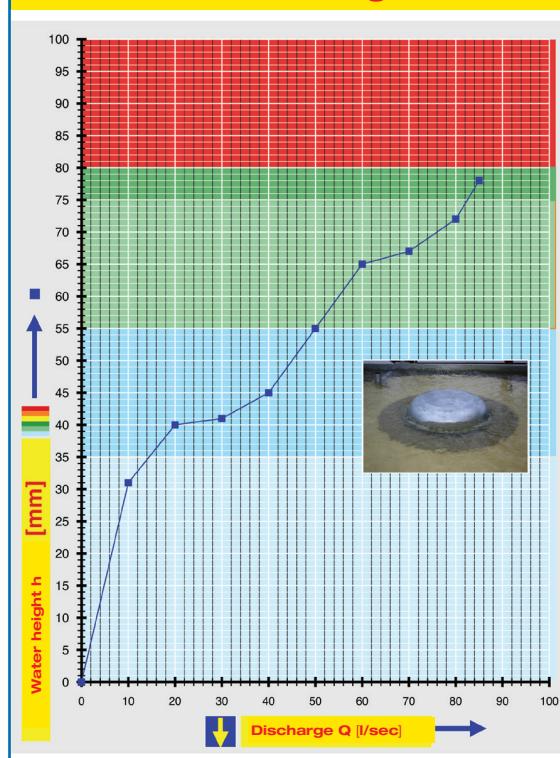
1 x Art.-No. 05510.125X, LORO-X Stand pipe

2 x Art.-No. 00911.125X, LORO-X Sealing elements

1 x Art.-No. 00806.125X, LORO-X Anchor clip

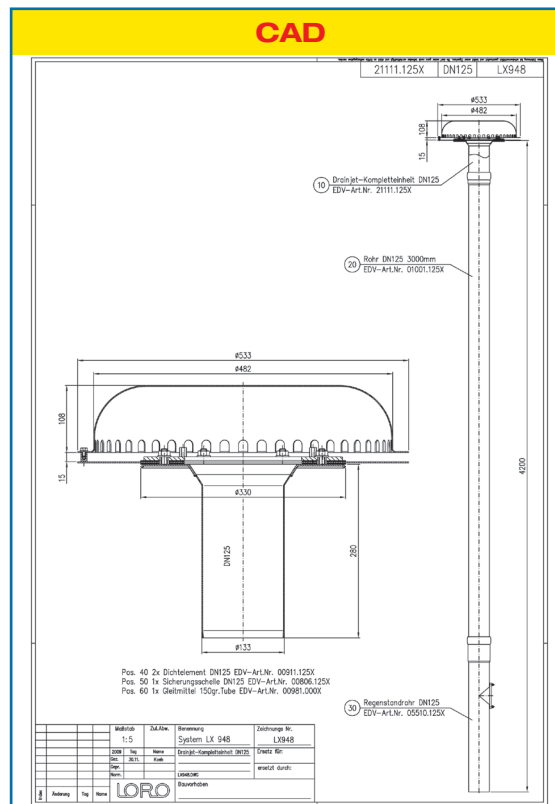
1 x Art.-No. 00986.000X, LORO-X Lubricant

hQ - Head Discharge curve



Systempower

CAD



Systemshape

Water height	mm	20	25	30	35	40	45	50	55	60	65	70	75	80	85	90
Discharge	l/sec		8	10	14	20	40	45	50	55	60	76	82			
Silent Power																

Choose drain for piece list on page one!

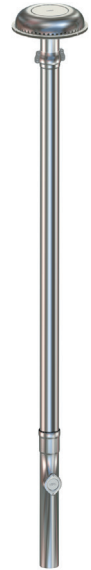
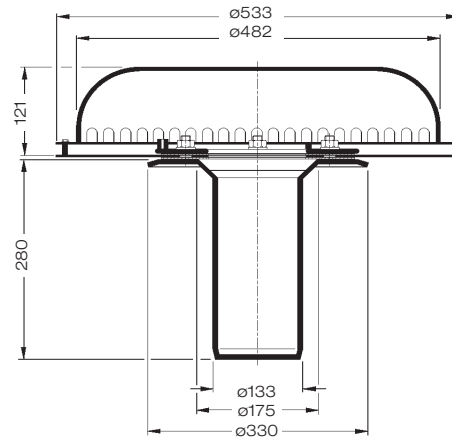
DN 125

without thermal insulation

LX948-5X

Drain Art.-No. 21111.125X

with clamping flange one-piece
for bituminous and plastic roofing sheets

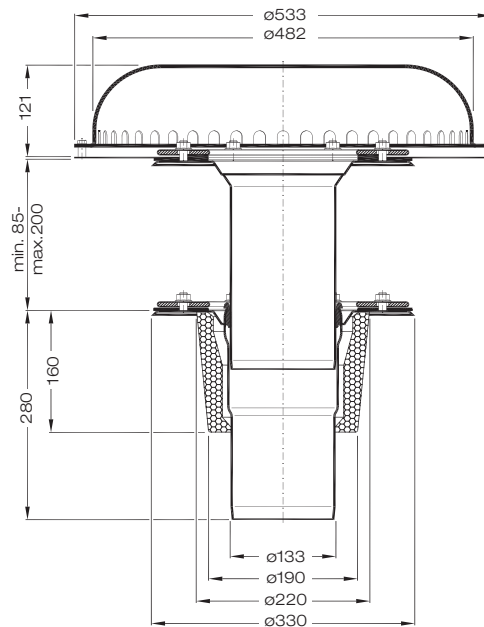


with thermal insulation

LX948-8X

Drain Art.-No. 21122.125X

with clamping flange two-piece
for bituminous and plastic roofing sheets



Please note:

For drainage systems with siphonic flow it is vital that only LORO-X pipes and fittings in the combination as indicated are used. Mixture or exchange of system parts may result in lower discharge capacities!. The height of the downpipe must be a min. 4.2m for the indicated capacity to be obtained. If roof drain and downpipe are fitted by different crews, then do follow the system setup acc. to the LX-data sheet at www.loro-x.com

Heat tracing: Lorowerk recommends to check all drains and pipes with regard to their frost-sensibility. Where necessary, these parts should be upgraded with heat tracing.